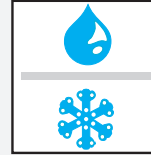


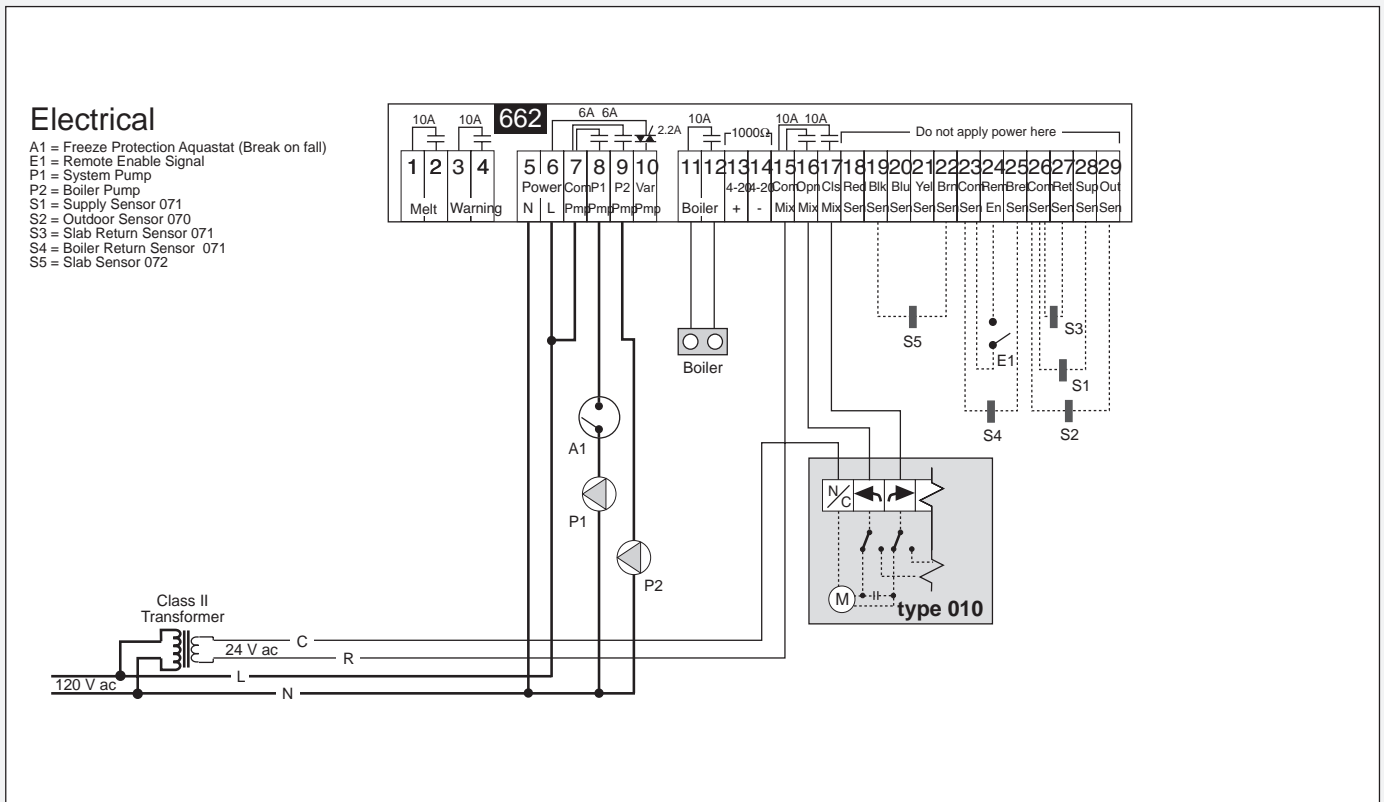
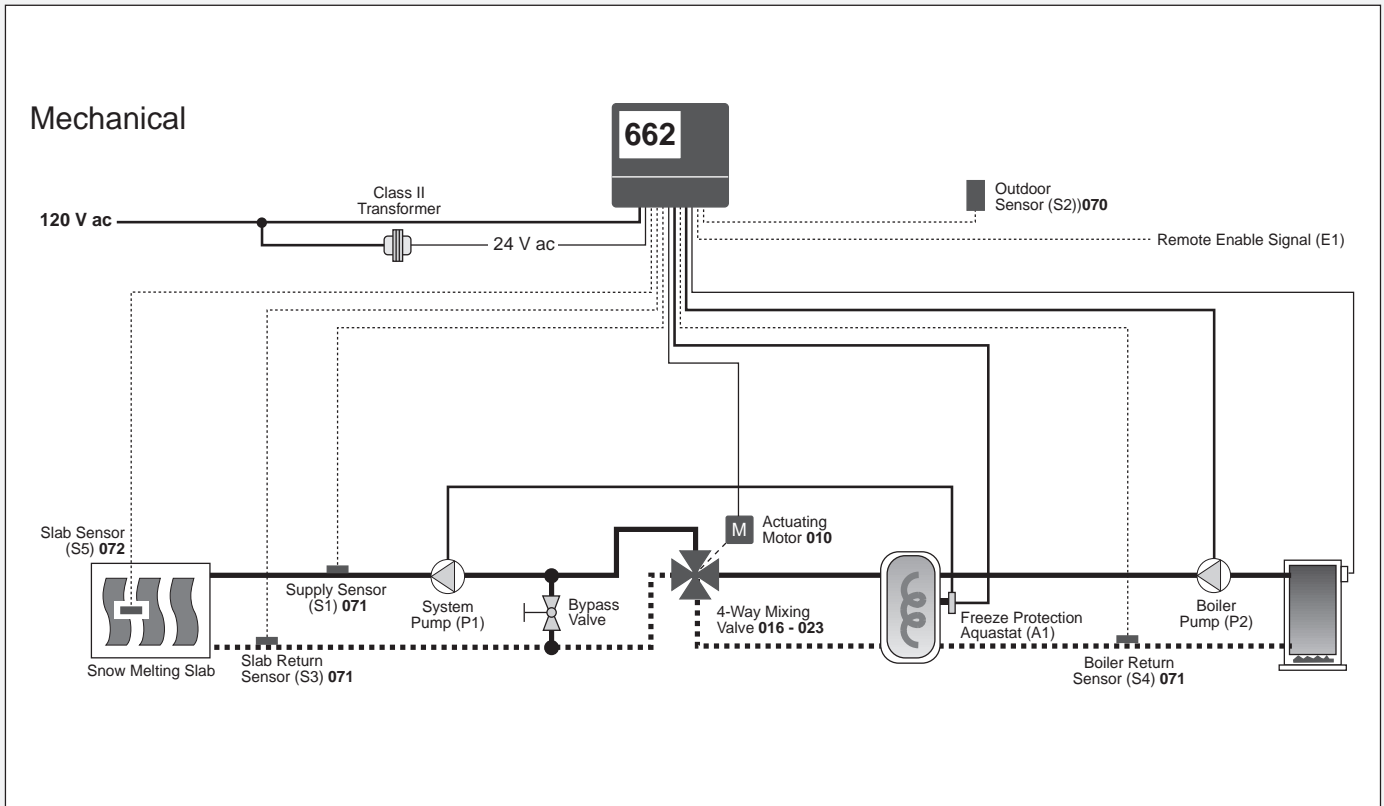
tekmar® - Application

Snow Detector & Melting Control 662



A 662-1

06/94

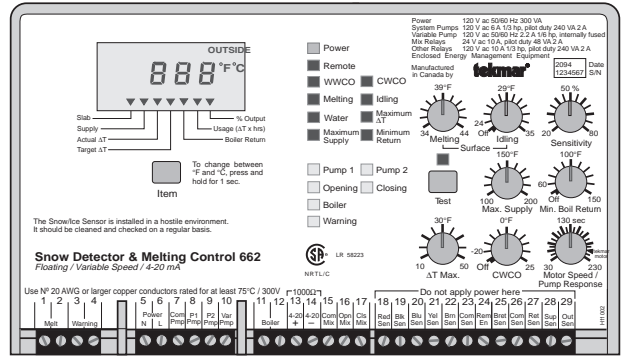


Note: This is only a concept drawing. The designer must determine whether this application will work in his system and must ensure compliance with code requirements. Necessary auxiliary equipment, isolation relays (for loads greater than the specified tekmar internal relay ratings), and other safety and limit devices must be added.

Snow Detector & Melting Control 662

- Literature — D 662, A 662, D 001, D 090, E 000, E 021, E 600
- Control — Microprocessor PID control; This is **not a safety (limit) control**.
- Packaged weight — 4.1 lb. (1900 g), Enclosure A, PVC plastic
- Dimensions — 6-5/8" H x 7-9/16" W x 2-13/16" D (170 x 193 x 72 mm)
- Approvals — CSA NRTL/C, meets DOC regulations for EMI/RFI.
- Ambient conditions — Indoor use only, 30 to 105°F (0 to 40°C), < 90% RH non-condensing.
- Power supply — 120 V ac ±10% 50/60 Hz 300 VA
- System Pumps — 120 V ac 6 A 1/3 hp, pilot duty 240 VA 2 A
- Variable Speed Pump — 120 V ac 50/60 Hz 2.2 A 1/6 hp, internally fused
- Mix Relays — 24 V ac 10 A, pilot duty 48 VA 2 A
- Other Relays — 120 V ac 10 A 1/3 hp, pilot duty 240 VA 2 A
- Sensors — NTC thermistor, 10 kΩ @ 25°C ±0.2°C β=3892
 - included: Outdoor Sensor 070, 3 of Universal Sensor 071, & Slab Sensor 072.
 - optional: Snow/Ice Sensor 090 and Sensor Socket 091.
- Control accuracy — ±1°F (±0.5°C) with up to 500 feet (150m) of 18 AWG wire.
- Surface, Melting — 34 to 44°F (1 to 7°C)
- Surface, Idling — Off, 24 to 35°F (-5 to 2°C)
- Water Sensitivity — 20 to 80%
- Maximum Supply — 100 to 200°F (38 to 93°C)

- Min. Boiler Return — Off, 55 to 150°F (13 to 66°C)
- ΔT max — 10 to 50°F (6 to 28°C)
- CWCO — Off, -22 to 25°F (-30 to -4°C)
- Motor Speed — 30 to 230 seconds



System Operation & Specifications

The tekmar Snow Detector and Melting Control 662 utilizes input from a Slab Sensor 072 to control the heat applied to a snow melting system using a 4-way mixing valve. The control also ensures a minimum boiler return temperature and restricts the ΔT to within an adjustable maximum value. The system pump is tied in with the heat exchanger aquastat for freeze protection. The boiler, system pump and mixing valve are automatically turned off when Warm Weather Cut Off (WWCO) or Cold Weather Cut Off (CWCO) occurs.

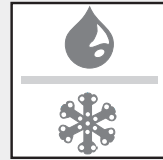
The control shall meet the technical specifications given above and shall provide the following functions.

- The bypass valve in the snow melting loop provides a method to balance flows so that the 4-way mixing valve operates through its full stroke.
- The control shall automatically calculate the system supply temperature required (during both "Idling" and "Melting" modes) based on the "Idling" or "Melting" dial settings and the slab surface temperature.
- During the "Idling" and "Melting" modes, the 4-way mixing valve shall be modulated to maintain a calculated temperature rise between the system supply and system return.
- A Boiler Return Sensor 071 shall be used to help prevent condensation of the flue gases in the boiler and/or chimney.
- When a "remote enable" signal is received, the control shall begin operation from either an "Off" mode (no heat to slab) or an "Idling" mode (slab operated at an "Idling" temperature) to a snow "Melting" mode (slab operated at a "Melting" temperature).
- The system pump, boiler pump and mixing valve shall be exercised once every three days to help prevent seizure during periods of non operation.
- WWCO shall occur when the outdoor temperature and slab surface temperature rise above the "Melting" surface temperature dial setting.
- CWCO shall occur when the outdoor temperature falls below the "CWCO" dial setting.
- The control will not heat the slab during WWCO or CWCO.
- The control shall display the outside, slab surface, and target slab surface temperatures in °F or °C.
- The control shall have a warning output indicating a sensor or system control fault.
- The control shall have a test button which activates a preprogrammed test sequence for all control inputs and outputs.
- The control shall continuously monitor its sensors and provide an LCD error message if a sensor is short or open circuited.
- The installer must ensure that the control and its wiring are isolated and/or shielded from strong sources of electromagnetic noise.
- **Order the following tekmar products for this application:** one Snow Detector & Melting Control 662, one Actuating Motor 010 and one 4-Way Mixing Valve 016 - 023.

In North America:	tekmar Control Systems Ltd., Canada tekmar Control Systems, Inc., U.S.A. Head Office: 4611 - 23rd Street Vernon, B.C. Canada V1T 4K7 Tel. (604) 545-7749 Fax. (604) 545-0650
--------------------------	--

tekmar® - Application

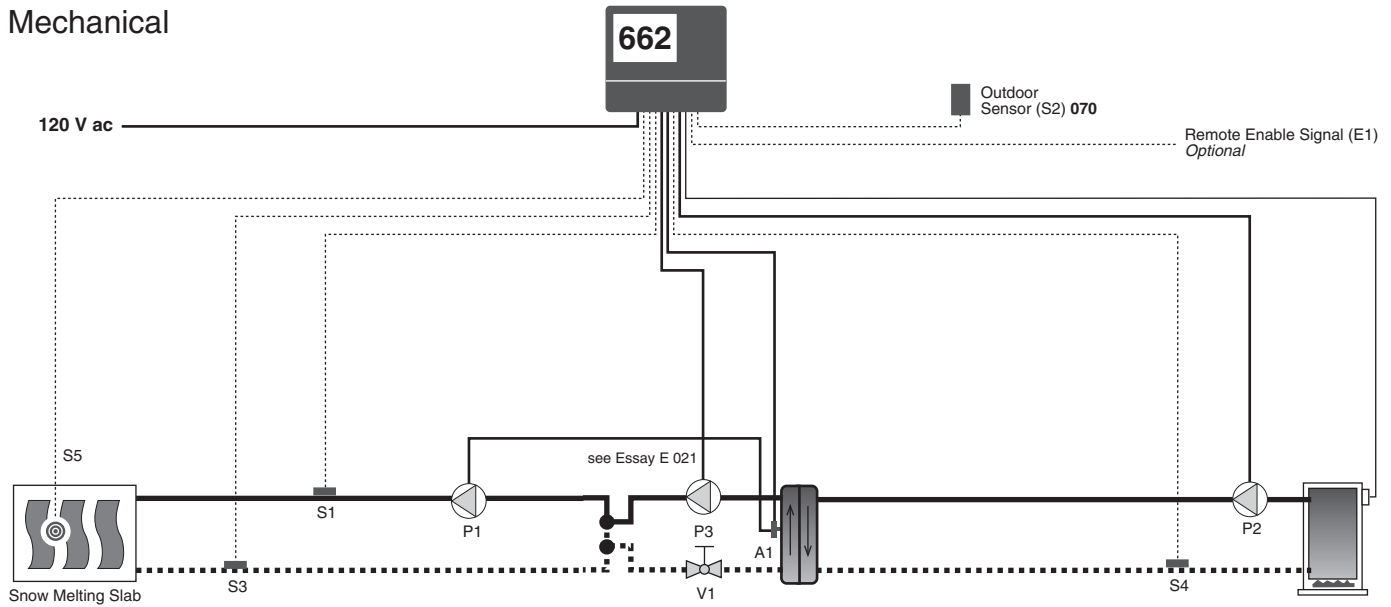
Snow Detector & Melting Control 662



A 662-2

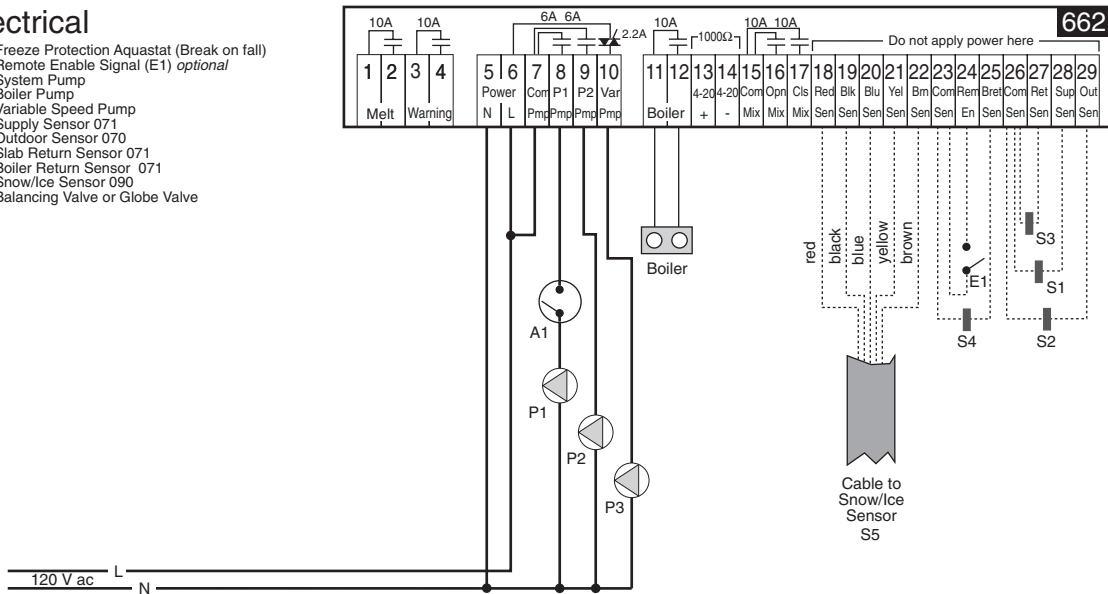
07/99

Mechanical



Electrical

- A1 = Freeze Protection Aquastat (Break on fall)
- E1 = Remote Enable Signal (E1) optional
- P1 = System Pump
- P2 = Boiler Pump
- P3 = Variable Speed Pump
- S1 = Supply Sensor 071
- S2 = Outdoor Sensor 070
- S3 = Slab Return Sensor 071
- S4 = Boiler Return Sensor 071
- S5 = Snow/Ice Sensor 090
- V1 = Balancing Valve or Globe Valve

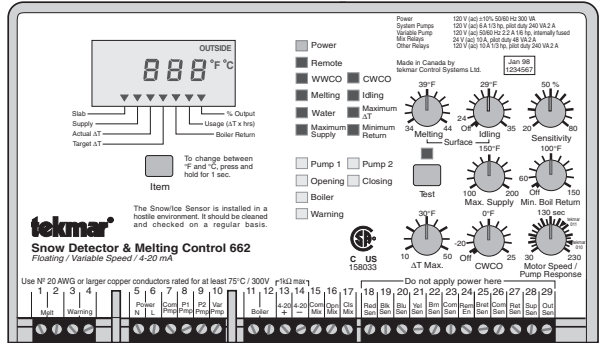


Note: This is only a concept drawing. The designer must determine whether this application will work in his system and must ensure compliance with code requirements. Necessary auxiliary equipment, isolation relays (for loads greater than the specified tekmar internal relay ratings), and other safety and limit devices must be added.

Snow Detector & Melting Control 662 Floating / Variable Speed / 4-20 mA

- Literature — D 662, A 662's, D 001, D 070, E 021.
- Control — Microprocessor PID control; This is **not a safety (limit) control**.
- Packaged weight — 4.1 lb. (1900 g), Enclosure A, blue modified PPO plastic
- Dimensions — 6-5/8" H x 7-9/16" W x 2-13/16" D (170 x 193 x 72 mm)
- Approvals — CSA NRTL/c, meets ICES & FCC regulations for EMI/RFI.
- Ambient conditions — Indoor use only, 30 to 105°F (0 to 40°C), < 90% RH non-condensing.
- Power — 120 V (ac) ±10% 50/60 Hz 300 VA
- System Pumps — 120 V (ac) 6 A 1/3 hp, pilot duty 240 VA 2 A
- Variable Pump — 120 V (ac) 50/60 Hz 2.2 A 1/6 hp, internally fused
- Mix Relays — 24 V (ac) 10 A, pilot duty 48 VA 2 A
- Other Relays — 120 V (ac) 10 A 1/3 hp, pilot duty 240 VA 2 A
- Sensors included — NTC thermistor, 10 kΩ @ 77°F (25°C ±0.2°C) β=3892
Outdoor Sensor 070, Slab Sensor 072, & 3 of Universal Sensor 071
- Optional devices — tekmar Type #: 011, 031, 090, 091.
- Detection of Snow/Ice — Down to -20°F (-29°C) in calm air with 500 feet (150 m) of 18 AWG wire to Snow/Ice Sensor 090.
- Surface, Melting — 34 to 44°F (1 to 7°C)
- Surface, Idling — Off, 24 to 35°F (Off, -5 to 2°C)
- Water Sensitivity — 20 to 80%
- Maximum Supply — 100 to 200°F (38 to 93°C)

- Min. Boiler Return — Off, 55 to 150°F (Off, 13 to 66°C)
- ΔT Max — 10 to 50°F (6 to 28°C)
- CWCO — Off, -22 to 25°F (Off, -30 to -4°C)
- Motor Speed — 30 to 230 seconds
- Temperature display — Fahrenheit / Celsius



System Operation & Specifications

The tekmar Snow Detector and Melting Control 662 utilizes input from a Snow/Ice Sensor 090 to control the heat applied to a snow melting system by varying the speed of a pump. The system pump is tied in with the heat exchanger aquastat for freeze protection. The control also ensures a minimum boiler return temperature and restricts the ΔT to within an adjustable maximum value. The boiler and pumps are automatically turned off when Warm Weather Cut Off (WWCO) or Cold Weather Cut Off (CWCO) occurs.

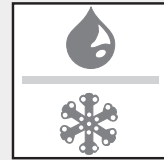
The control shall meet the technical specifications given above and shall provide the following functions.

- The control shall automatically calculate the system supply temperature required (during both "Idling" and "Melting" modes) based on the "Idling" or "Melting" dial settings and the slab surface temperature.
- During the "Idling" and "Melting" modes, the variable speed pump output shall be modulated to maintain a calculated temperature rise between the system supply and system return.
- A Boiler Return Sensor 071 shall be used to help prevent condensation of the flue gases in the boiler and/or chimney.
- On detection of snow/ice from the snow/ice sensor 090, the control shall begin operation from either an "Off" mode (no heat to slab) or an "Idling" mode (slab operated at an "Idling" temperature) to a snow "Melting" mode (slab operated at a "Melting" temperature).
- The system pump, boiler pump and variable speed pump shall be exercised once every three days to help prevent seizure during periods of non operation.
- WWCO shall occur when the outdoor temperature and slab surface temperature rise above the "Melting" surface temperature dial setting.
- CWCO shall occur when the outdoor temperature falls below the "CWCO" dial setting.
- The control will not heat the slab during WWCO or CWCO.
- The control shall display the outside, slab surface, and target slab surface temperatures in °F or °C.
- The control shall have a warning output indicating a sensor or system control fault.
- The control shall have a test button which activates a preprogrammed test sequence for all control inputs and outputs.
- The control shall continuously monitor its sensors and provide an LCD error message if a sensor is short or open circuited.
- The installer must ensure that the control and its wiring are isolated and/or shielded from strong sources of electromagnetic noise.
- **Order the following tekmar products for this application:** one Snow Detector & Melting Control 662, one Snow/Ice Sensor 090 and one Snow/ Ice Sensor Socket 091.

	<p>tekmar Control Systems Ltd., Canada tekmar Control Systems, Inc., U.S.A. Head Office: 4611 - 23rd Street Vernon, B.C. Canada V1T 4K7 Tel. (250) 545-7749 Fax. (250) 545-0650 Web Site: www.tekmarcontrols.com</p>
---	---

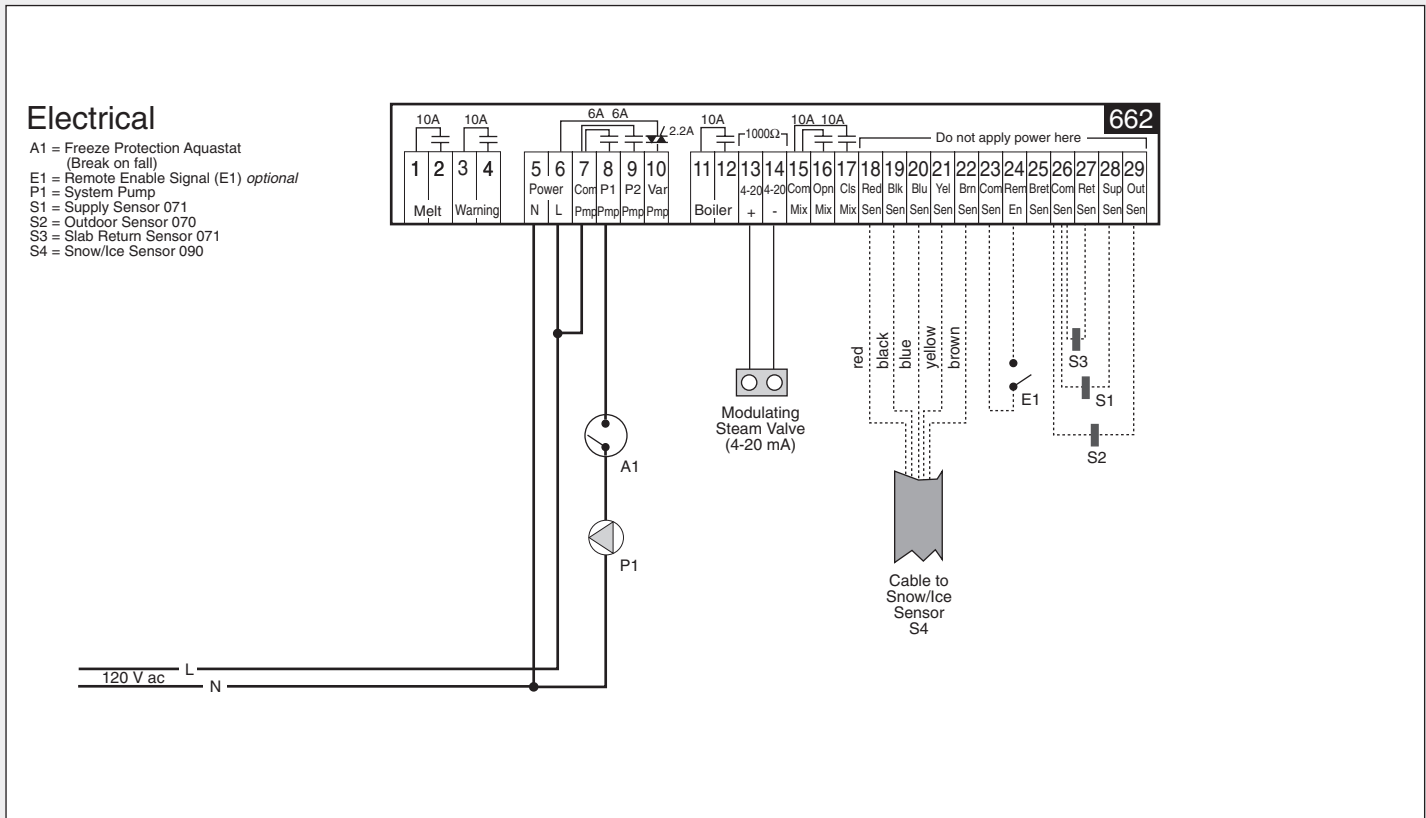
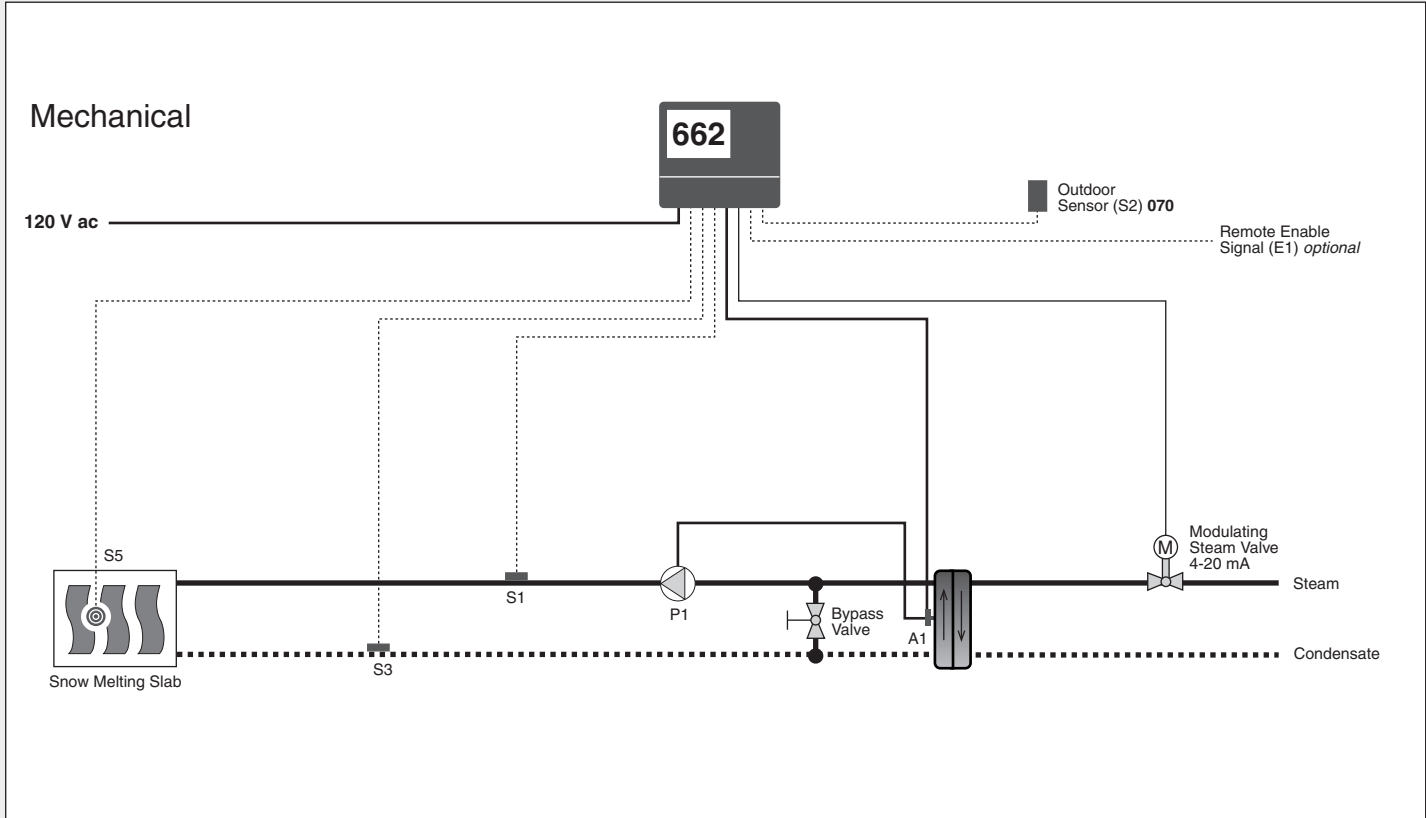
tekmar® - Application

Snow Detector & Melting Control 662



A 662-3

07/99

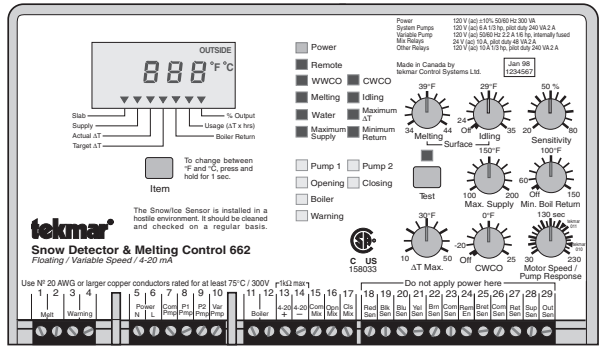


Note: This is only a concept drawing. The designer must determine whether this application will work in his system and must ensure compliance with code requirements. Necessary auxiliary equipment, isolation relays (for loads greater than the specified tekmar internal relay ratings), and other safety and limit devices must be added.

Snow Detector & Melting Control 662 Floating / Variable Speed / 4-20 mA

- Literature — D 662, A 662's, D 001, D 070, E 021.
- Control — Microprocessor PID control; This is **not a safety (limit) control**.
- Packaged weight — 4.1 lb. (1900 g), Enclosure A, blue modified PPO plastic
- Dimensions — 6-5/8" H x 7-9/16" W x 2-13/16" D (170 x 193 x 72 mm)
- Approvals — CSA NRTL/C, meets ICES & FCC regulations for EMI/RFI.
- Ambient conditions — Indoor use only, 30 to 105°F (0 to 40°C), < 90% RH non-condensing.
- Power — 120 V (ac) ±10% 50/60 Hz 300 VA
- System Pumps — 120 V (ac) 6 A 1/3 hp, pilot duty 240 VA 2 A
- Variable Pump — 120 V (ac) 50/60 Hz 2.2 A 1/6 hp, internally fused
- Mix Relays — 24 V (ac) 10 A, pilot duty 48 VA 2 A
- Other Relays — 120 V (ac) 10 A 1/3 hp, pilot duty 240 VA 2 A
- Sensors included — NTC thermistor, 10 kΩ @ 77°F (25°C ±0.2°C) β=3892
Outdoor Sensor 070, Slab Sensor 072, & 3 of Universal Sensor 071
- Optional devices — tekmar Type #: 011, 031, 090, 091.
- Detection of Snow/Ice — Down to -20°F (-29°C) in calm air with 500 feet (150 m) of 18 AWG wire to Snow/Ice Sensor 090.
- Surface, Melting — 34 to 44°F (1 to 7°C)
- Surface, Idling — Off, 24 to 35°F (Off, -5 to 2°C)
- Water Sensitivity — 20 to 80%
- Maximum Supply — 100 to 200°F (38 to 93°C)

- Min. Boiler Return — Off, 55 to 150°F (Off, 13 to 66°C)
- ΔT Max — 10 to 50°F (6 to 28°C)
- CWCO — Off, -22 to 25°F (Off, -30 to -4°C)
- Motor Speed — 30 to 230 seconds
- Temperature display — Fahrenheit / Celsius



System Operation & Specifications

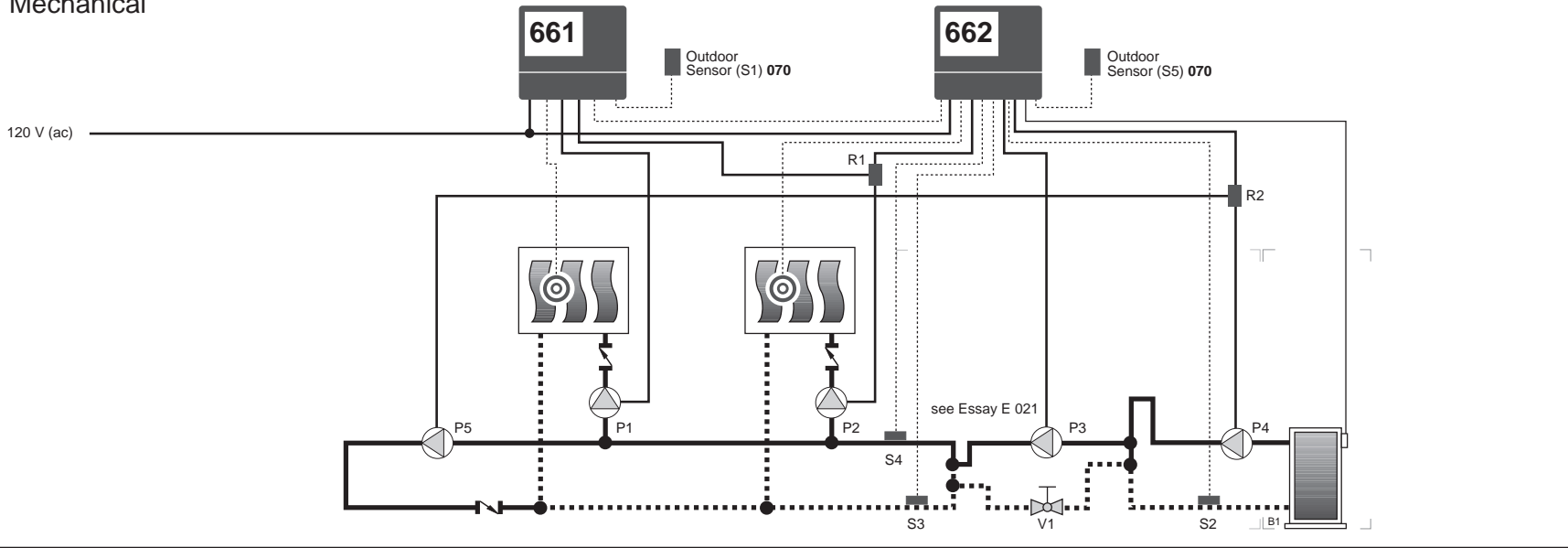
The tekmar Snow Detector and Melting Control 662 utilizes input from a Snow/Ice Sensor 090 to control the heat applied to a snow melting system through a modulating steam valve. A heat exchanger is used to transfer the steam heat to the slab through a glycol solution. The system pump is tied in with the heat exchanger aquastat for freeze protection. The 4-20mA output and system pump are automatically turned off when Warm Weather Cut Off (WWCO) or Cold Weather Cut Off (CWCO) occurs.

The control shall meet the technical specifications given above and shall provide the following functions.

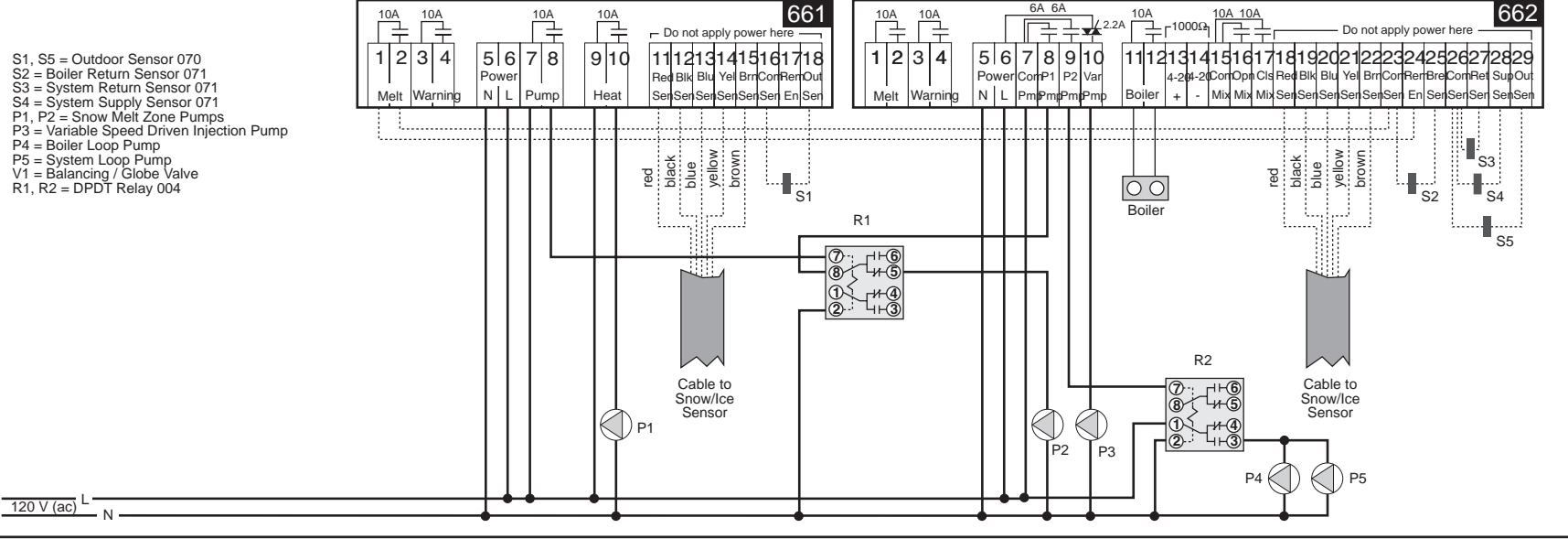
- The bypass valve in the snow melting loop provides a method to balance flows so that the heat exchanger can always operate above 35°F (2°C).
- The control shall automatically calculate the system supply temperature required (during both "Idling" and "Melting" modes) based on the "Idling" or "Melting" dial settings and the slab surface temperature.
- During the "Idling" and "Melting" modes, the 4-20mA output shall be modulated to maintain a calculated temperature rise between the system supply and system return.
- A Boiler Return Sensor 071 shall be used to help prevent condensation of the flue gases in the boiler and/or chimney.
- On detection of snow/ice from the snow/ice sensor 090, the control shall begin operation from either an "Off" mode (no heat to slab) or an "Idling" mode (slab operated at an "Idling" temperature) to a snow "Melting" mode (slab operated at a "Melting" temperature).
- The system pump and 4-20mA modulating steam valve shall be exercised once every three days to help prevent seizure during periods of non operation.
- WWCO shall occur when the outdoor temperature and slab surface temperature rise above the "Melting" surface temperature dial setting.
- CWCO shall occur when the outdoor temperature falls below the "CWCO" dial setting.
- The control will not heat the slab during WWCO or CWCO.
- The control shall display the outside, slab surface, and target slab surface temperatures in °F or °C.
- The control shall have a warning output indicating a sensor or system control fault.
- The control shall have a test button which activates a preprogrammed test sequence for all control inputs and outputs.
- The control shall continuously monitor its sensors and provide an LCD error message if a sensor is short or open circuited.
- The installer must ensure that the control and its wiring are isolated and/or shielded from strong sources of electromagnetic noise.
- **Order the following tekmar products for this application:** one Snow Detector & Melting Control 662, one Snow/Ice Sensor 090, and one Snow/Ice Sensor Socket 091.

	<p>tekmar Control Systems Ltd., Canada tekmar Control Systems, Inc., U.S.A. Head Office: 4611 - 23rd Street Vernon, B.C. Canada V1T 4K7 Tel. (250) 545-7749 Fax. (250) 545-0650 Web Site: www.tekmarcontrols.com</p>
---	---

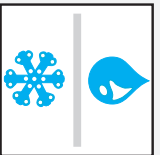
Mechanical



Electrical



Note: This is only a concept drawing. The designer must determine whether this application will work in his system and must ensure compliance with code requirements. Necessary auxiliary equipment, isolation relays (for loads greater than the specified tekmar internal relay ratings), and other safety and limit devices must be added.

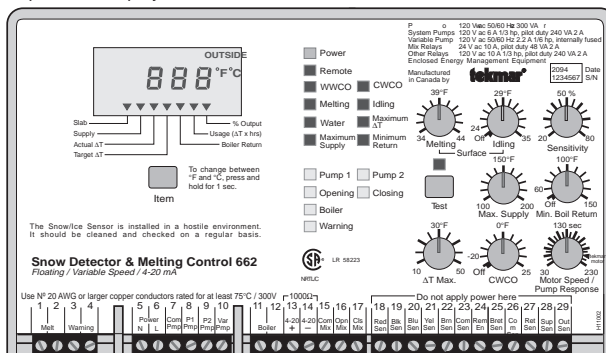


Technical Data

Snow Detector & Melting Control 662 Floating / Variable Speed / 4-20 mA

- Literature — A 000, A 662's, E 021, D 662, D 001, D 070, D 090
- Control — Microprocessor PID control; This is **not a safety (limit) control**.
- Packaged weight — 4.1 lb. (1900 g), Enclosure A, modified PPO plastic
- Dimensions — 6-5/8" H x 7-9/16" W x 2-13/16" D (170 x 193 x 72 mm)
- Approvals — CSA NRTL/C, meets ICES & FCC regulations for EMI/RFI.
- Ambient conditions — Indoor use only, 30 to 105°F (0 to 40°C), < 90% RH non-condensing.
- Power supply — 120 V ±10% 50/60 Hz 300 VA
- System Pumps — 120 V (ac) 6 A 1/3 hp, pilot duty 240 VA 2 A
- Variable Speed Pump — 120 V 50/60 Hz 2.2 A 1/6 hp, internally fused
- Mix Relays — 24 V (ac) 10 A, pilot duty 48 VA 2 A
- Other Relays — 120 V (ac) 10 A 1/3 hp, pilot duty 240 VA 2 A
- Sensors — NTC thermistor, 10 kΩ @ 77°F (25°C ±0.2°C) β=3892
- included: Outdoor Sensor 070, Slab Sensor 072, & 3 of Universal Sensor 071
- optional: Snow/Ice Sensor 090 and Sensor Socket 091.
- Detection of Snow/Ice — Down to -20°F (-29°C) in calm air with 500 feet (150 m) of 18 AWG wire to Snow/Ice Sensor 090.
- Surface, Melting — 34 to 44°F (1 to 7°C)
- Surface, Idling — Off, 24 to 35°F (Off, -5 to 2°C)
- Water Sensitivity — 20 to 80%
- Maximum Supply — 100 to 200°F (38 to 93°C)

- Min. Boiler Return — Off, 55 to 150°F (Off, 13 to 66°C)
- ΔT Max — 10 to 50°F (6 to 28°C)
- CWCO — Off, -22 to 25°F (Off, -30 to -4°C)
- Motor Speed — 30 to 230 seconds
- Temperature display — Fahrenheit / Celsius



System Operation & Specifications

The Snow Detector & Melting Control 662 and the Snow Detector & Melting Control 661 combine with two Snow / Ice Sensor 090's in order to provide an automatic multi-zone snow melting system with Slab Protection, Boiler Protection and Priority.

Piping and Heat Source Details The system is piped in a primary - secondary arrangement with a Variable Speed Driven Injection Pump as the mixing device.

Warm Weather Cut Off (WWCO) When the outdoor temperature and the slab surface temperature exceed the *Target Slab Surface* Temperatures, there is no longer a need to supply heat to the snow melting system. In this situation, the controls are disabled and wait for the outdoor temperature to drop before they will allow snow melting again.

Cold Weather Cut Off (CWCO) As the outdoor temperature drops, it becomes impractical or impossible to snow melt because of the amount of heat the slab requires. When the outdoor temperature drops below the *CWCO* setting, snow melting cannot be started.

Snow Melting Operation In this application, priority is given to the zone controlled by the 661. When the 661 enters a melting mode, it closes its *System Pump* contact in order to prevent the 662 from supplying heat to its zone. The 661 also closes its *Melt* contact and sends a Remote Enable signal to the 662. This causes the 662 to close its *P2 Pump* contact and enables both the boiler pump (P4) and the system pump (P5). The 662 then operates the Variable Speed Injection pump and the boiler in order to provide heat to the system while at the same time providing both System Protection and Boiler Protection. The 661 cycles its *Heat* contact using a Pulse Width Modulation Output in order to provide heat to its zone. Once the 661 has completed snow melting for its zone, it opens its *System Pump* contact and allows the 662 to provide heat to its zone in order to snow melt.

Boiler Protection As the boiler return temperature approaches the *Minimum Boiler Return* temperature, the 662 limits the output from the Variable Speed Driven Injection pump in order to allow the boiler loop temperature to rise.

System Protection As the system supply temperature approaches the *Maximum Supply* temperature, the 662 limits the output from the Variable Speed Driven Injection pump in order to protect the components in the snow melting system from damage due to excessive temperatures.

Additional Functions Additional functions are listed in the table in the Snow Melting Controls section of the Product Catalog I 000 and the Application Catalog A 000.

Note: Since the 661 has priority over the 662, it is possible for the 661 to interrupt the 662 during its melting cycle and potentially allow the zone controlled by the 662 to freeze up. Also, Idling must be off in both controls.

	tekmar Control Systems Ltd., Canada tekmar Control Systems, Inc., U.S.A. Head Office: 4611 - 23rd Street Vernon, B.C. Canada V1T 4K7 Tel. (250) 545-7749 Fax. (250) 545-0650
---	---