

# tekmar® - Application

## Mixing Valve Setpoint Control 227



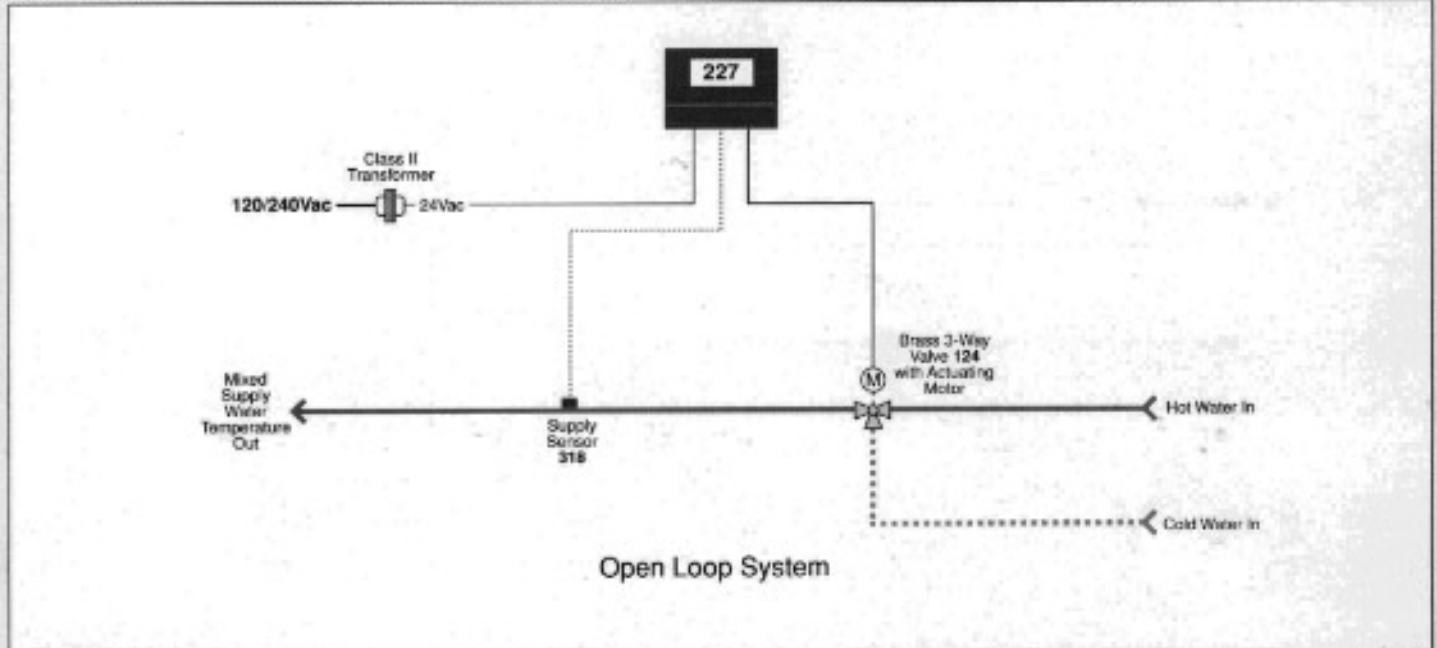
A 227-1

03/92

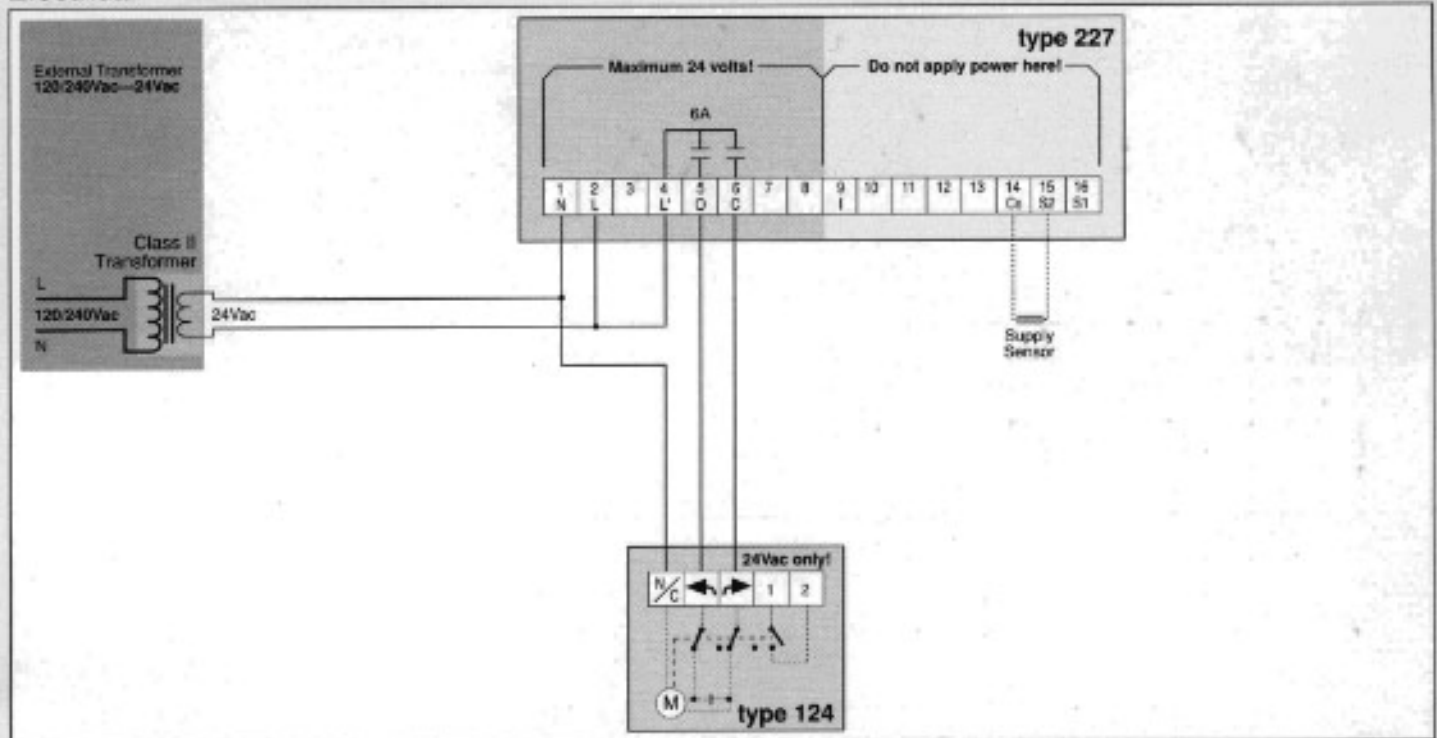
Mixing Valve Setpoint Control 227 regulates the discharge water temperature of the open loop system by mixing hot and cold supply water in the tekmar Brass 3-Way Valve type 124. Type 124 provides 100% shut off of either the hot or the cold supply when mixing is not required. The actuating motor of type 124 takes 3.5 minutes to drive from fully closed to fully open, and the same amount of time to drive closed again.

### Mechanical

**Note:** This is only a concept drawing. The designer must determine whether this system will work in his application and conform to code requirements. Necessary auxiliary equipment and safety devices must be added.



### Electrical



# tekmar® - Application

## Mixing Valve Setpoint Control 227



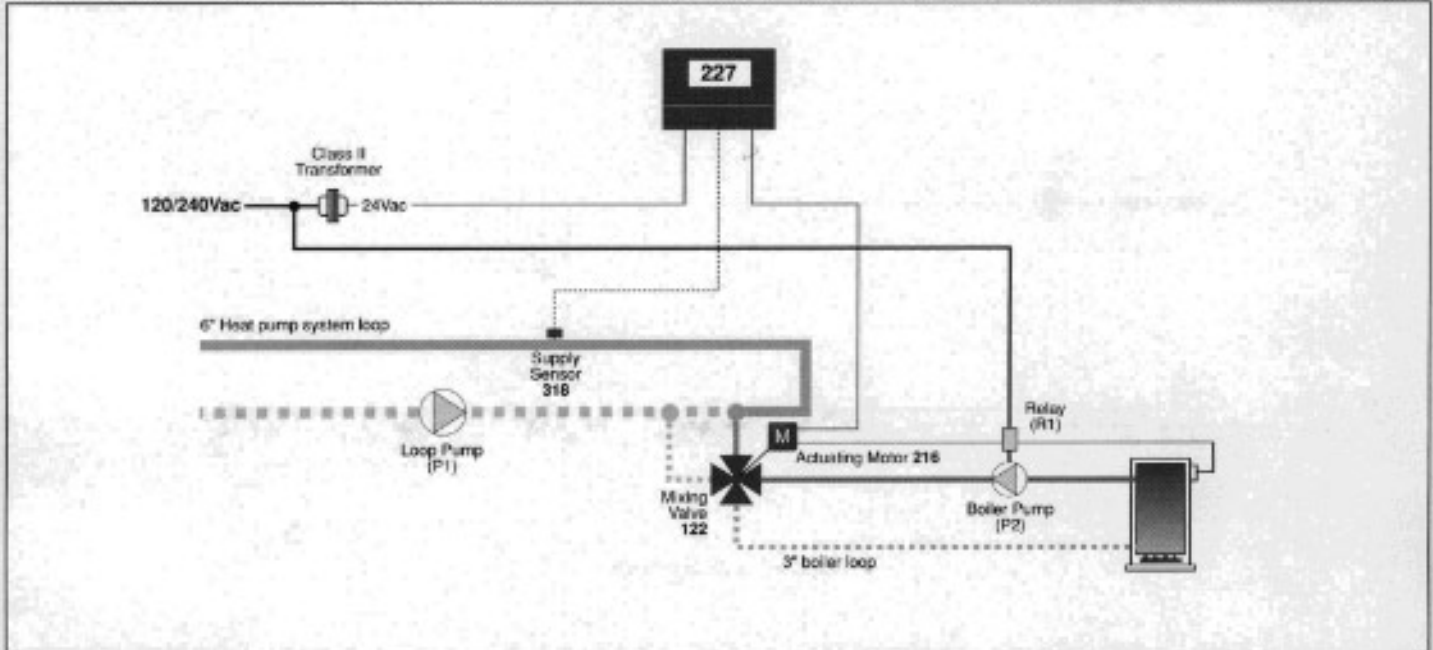
A 227-2

03/92

Mixing Valve Setpoint Control 227 regulates the heat pump loop supply water temperature by modulating the tekmar 4-Way Mixing Valve. The boiler pump and boiler are turned on by the end switch in the tekmar Actuating Motor 216. The end switch closes when the valve starts to open and opens, shutting off the boiler and pump, when the valve is almost closed. The plumbing arrangement in this application illustrates how a relatively small, high temperature boiler loop can be used to supply a much larger lower temperature loop.

### Mechanical

**Note:** This is only a concept drawing. The designer must determine whether this system will work in his application and conform to code requirements. Necessary auxiliary equipment and safety devices must be added.



### Electrical

