

tekmar® - Application

On/Off Setpoint Control 226



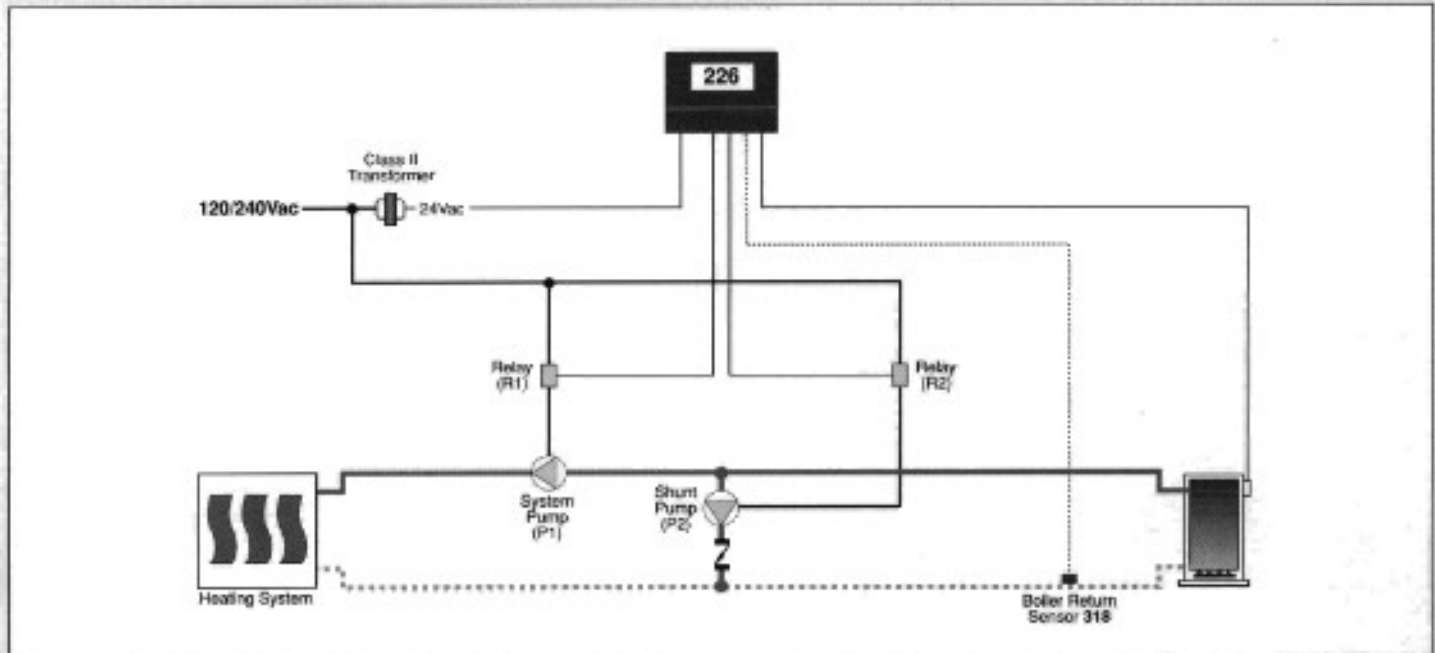
A 226-1

03/92

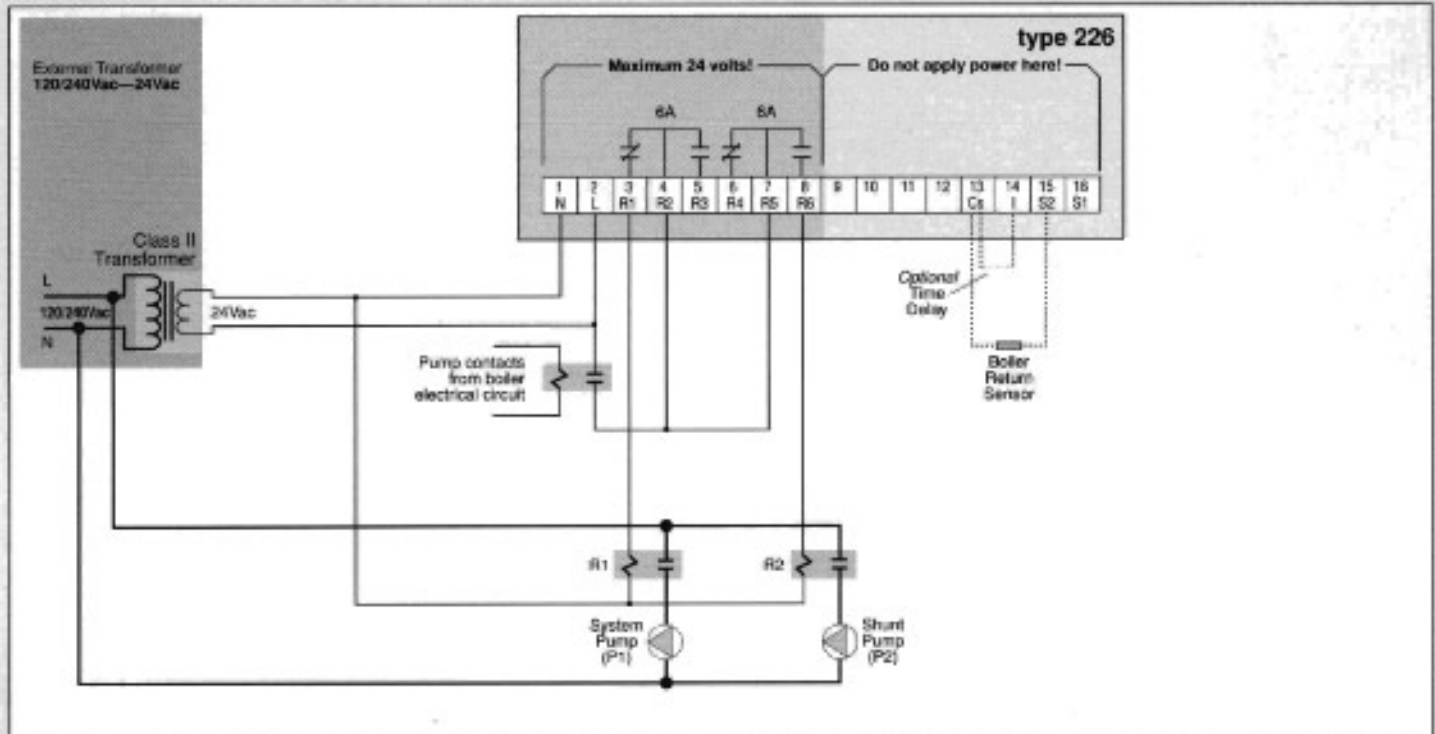
The On/Off Setpoint Control 226 maintains a selected minimum boiler return temperature by operating the system pump and the boiler shunt pump. When the return water temperature is very cold, the system pump is kept off and only the shunt pump runs. When the return water temperature to the boiler is within 15°F (8°C) of the setpoint, both pumps operate. *Lead/Lag setting = -15°F (-8°C)*. Once the return water temperature is warmer than the setpoint, the shunt pump is turned off after a 3 minute time delay.

Mechanical

Note: This is only a concept drawing. The designer must determine whether this system will work in his application and conform to code requirements. Necessary auxiliary equipment and safety devices must be added.



Electrical



tekmar® - Application

On/Off Setpoint Control 226



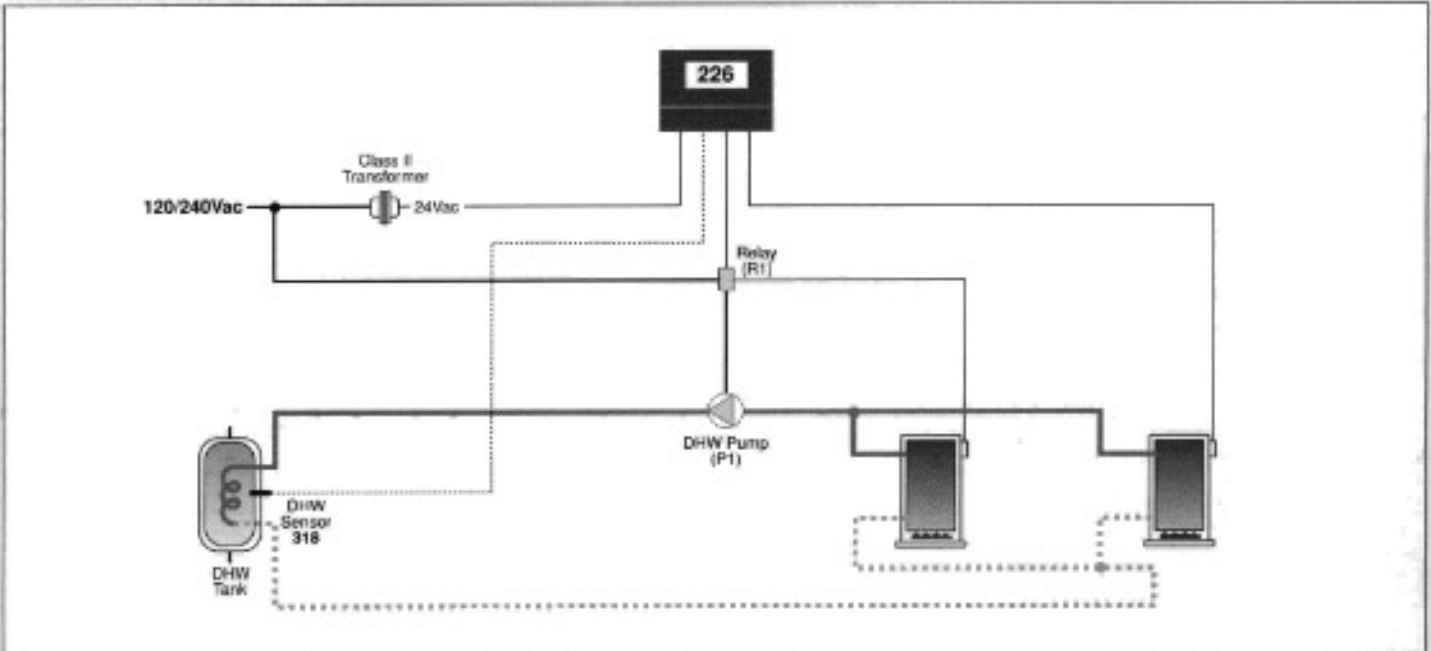
A 226-2

03/92

The On/Off Setpoint Control 226 maintains a selected Domestic Hot Water (DHW) tank temperature by cycling and staging two boilers. Boiler #1 and the DHW pump are turned on when the DHW tank temperature has fallen 5°F (3°C) below the selected DHW setpoint. *Differential setting = ±5°F (3°C)*. Boiler #2 is turned on when the DHW tank temperature has fallen 13°F (7°C) below the setpoint. *Lead/Lag setting = -8°F (-4°C)*

Mechanical

Note: This is only a concept drawing. The designer must determine whether this system will work in his application and conform to code requirements. Necessary auxiliary equipment and safety devices must be added.



Electrical

