

tekmar® - Application

Hydronic Snow/Ice Melting Control 217



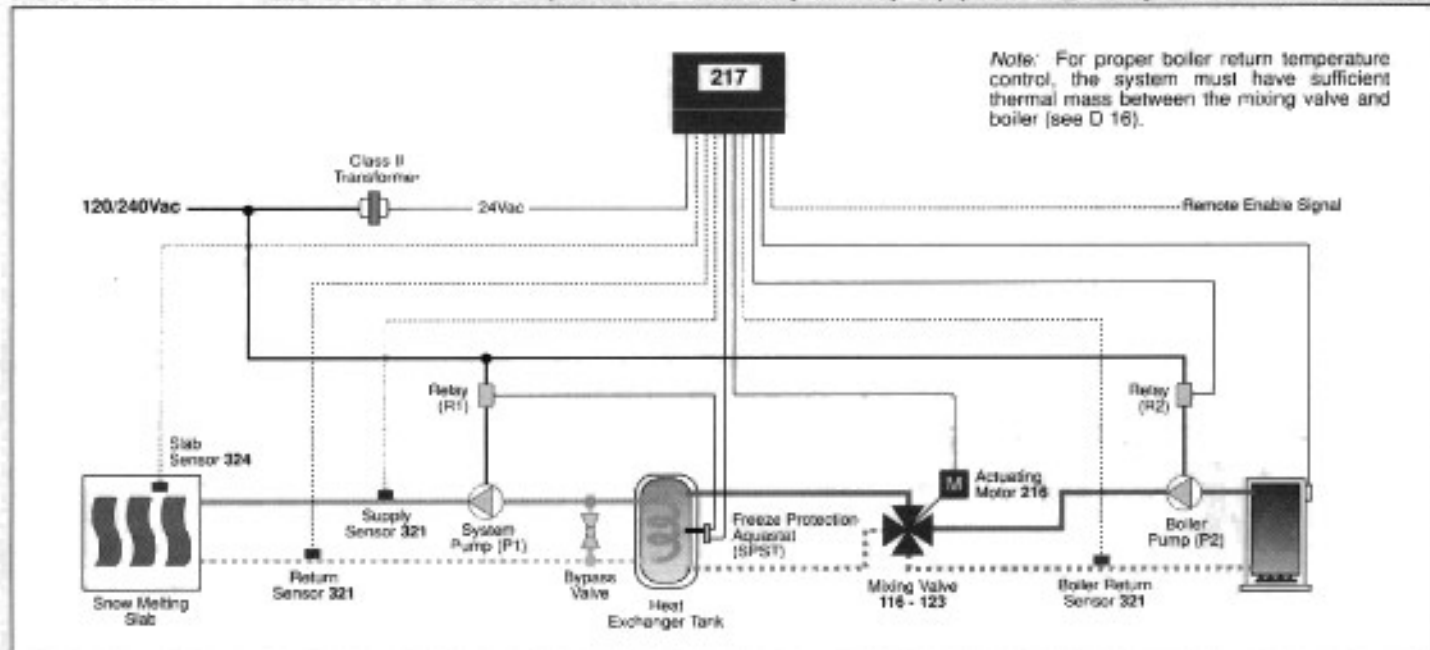
A 217-1

03/92

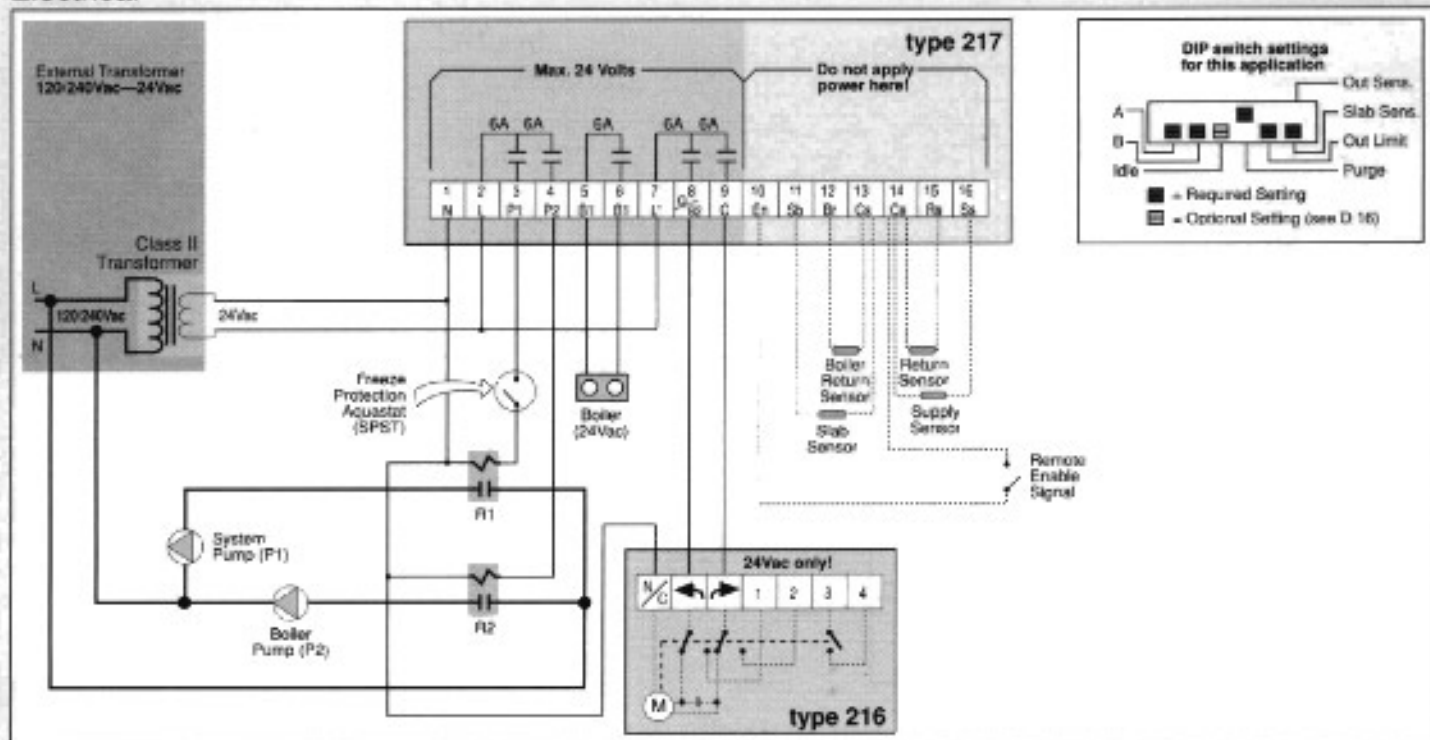
The tekmar Hydronic Snow/Ice Melting Control 217 regulates the rate of heat input to the snow melting system. The control maintains a calculated slab surface temperature by modulating the 4-way mixing valve. The control also maintains a selected boiler return temperature. The boiler and pumps are automatically turned off if no snow melting is required. The control will start the snow melting system when it gets a signal from a remote switch or the tekmar Snow/Ice Detector 651.

Mechanical

Note: This is only a concept drawing. The designer must determine whether this system will work in his application and conform to code requirements. Necessary auxiliary equipment and safety devices must be added.



Electrical



tekmar® - Application

Hydronic Snow/Ice Melting Control 217



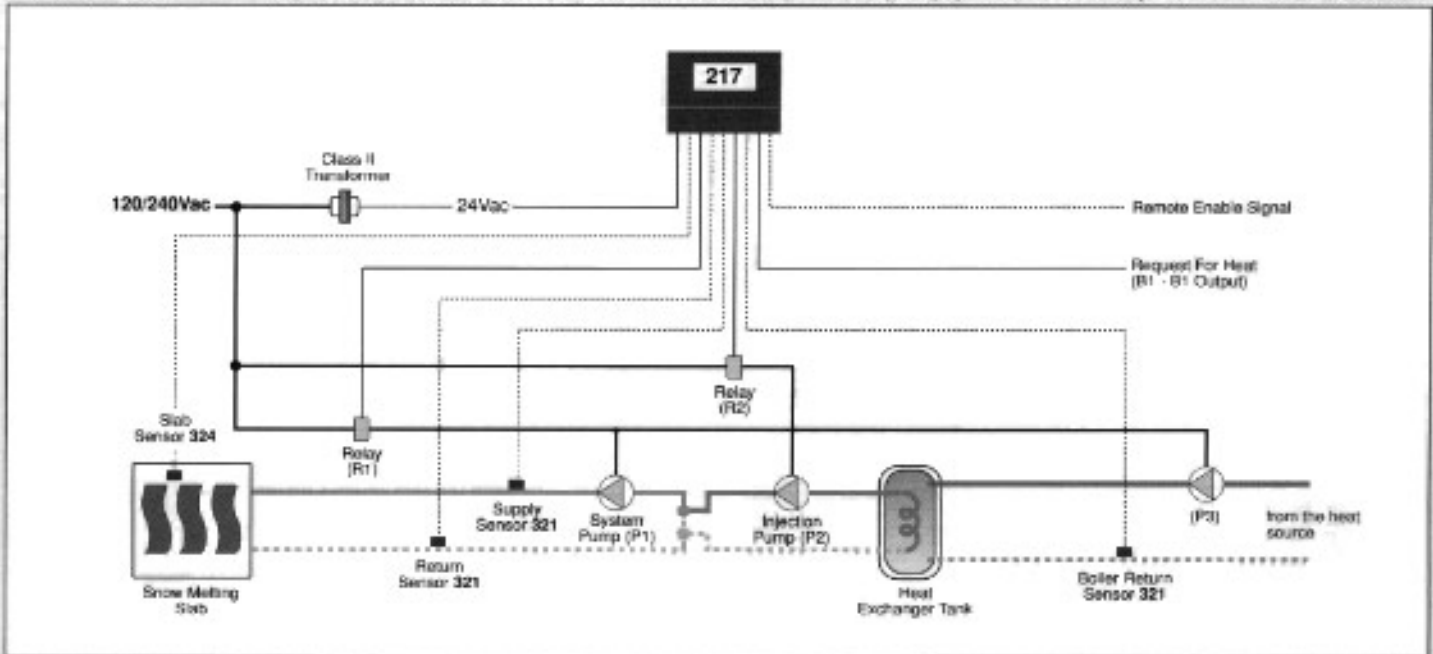
A 217-2

03/92

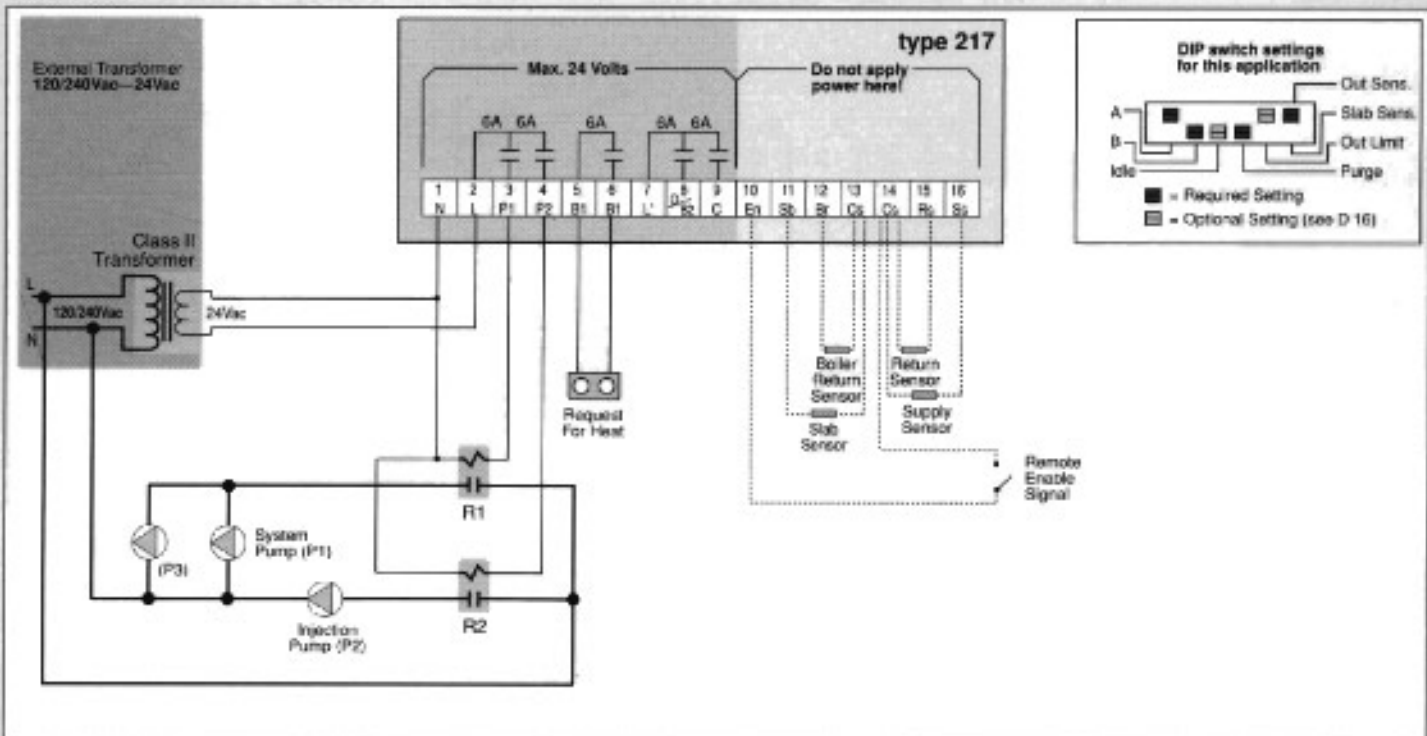
The tekmar Hydronic Snow/Ice Melting Control 217 regulates the rate of heat input to the snow melting system. The control maintains a calculated slab surface temperature by injecting heat from the heat exchanger into the continuously circulating snow melting system loop. The control also maintains a selected boiler return temperature. The system and injection pumps are automatically turned off if no snow melting is required. The control will start the snow melting system when it gets a signal from a remote switch or the tekmar Snow/Ice Detector 651.

Mechanical

Note: This is only a concept drawing. The designer must determine whether this system will work in his application and conform to code requirements. Necessary auxiliary equipment and safety devices must be added.

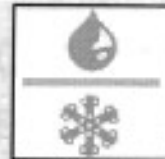


Electrical



tekmar® - Application

Hydronic Snow/Ice Melting Control 217



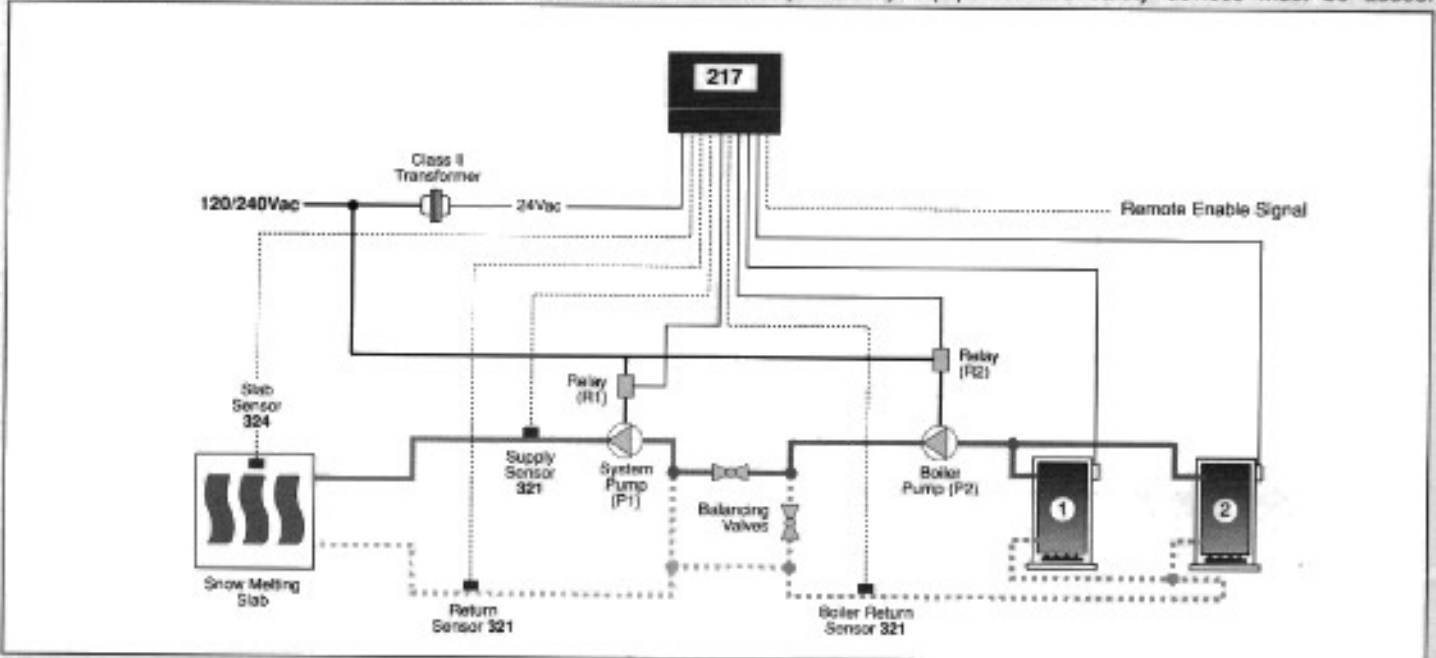
A 217-3

03/92

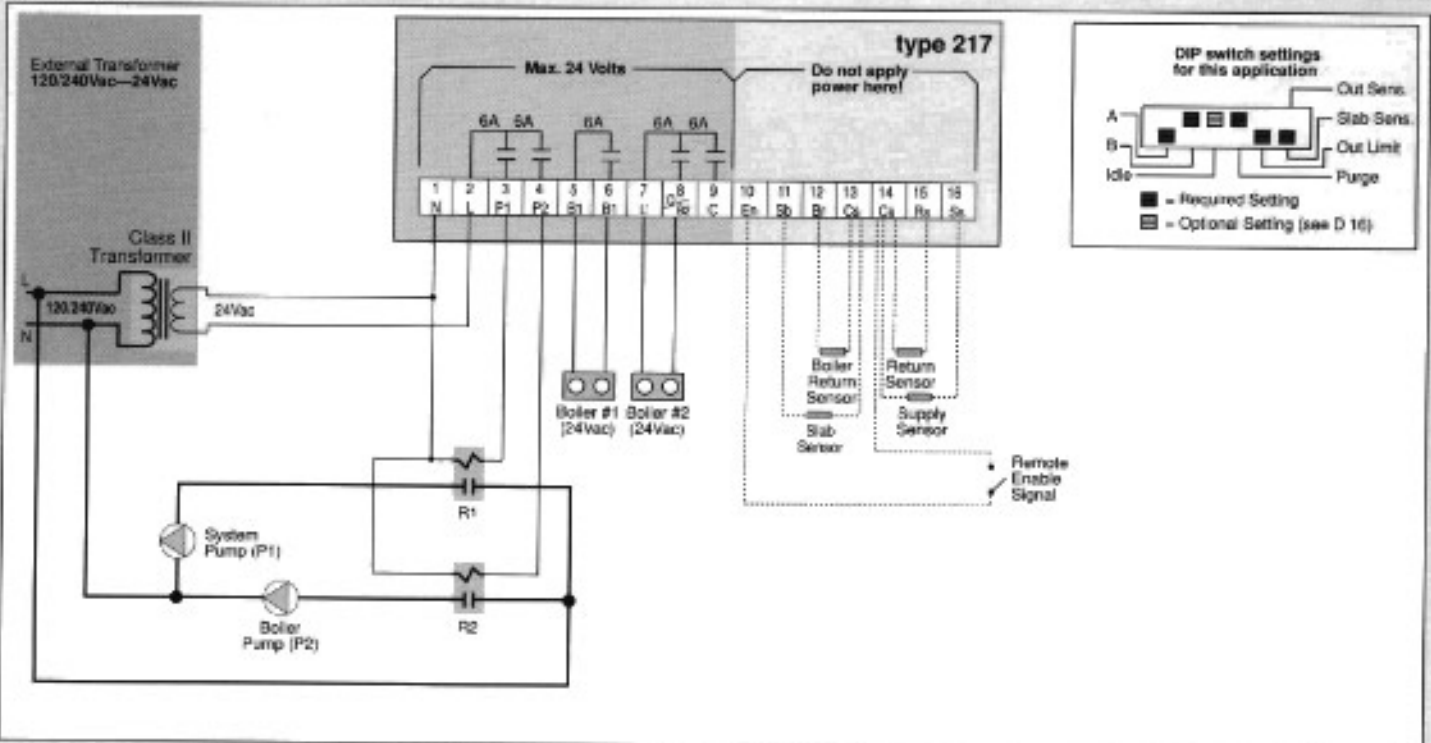
The tekmar Hydronic Snow/Ice Melting Control 217 regulates the rate of heat input to the snow melting system. The control maintains a calculated slab surface temperature by staging two boilers. The two balancing valves regulate the boiler return temperature. The boiler and pumps are automatically turned off if no snow melting is required. The control will start the snow melting system when it gets a signal from a remote switch or the tekmar Snow/Ice Detector 651.

Mechanical

Note: This is only a concept drawing. The designer must determine whether this system will work in his application and conform to code requirements. Necessary auxiliary equipment and safety devices must be added.



Electrical



tekmar® - Application

Hydronic Snow/Ice Melting Control 217



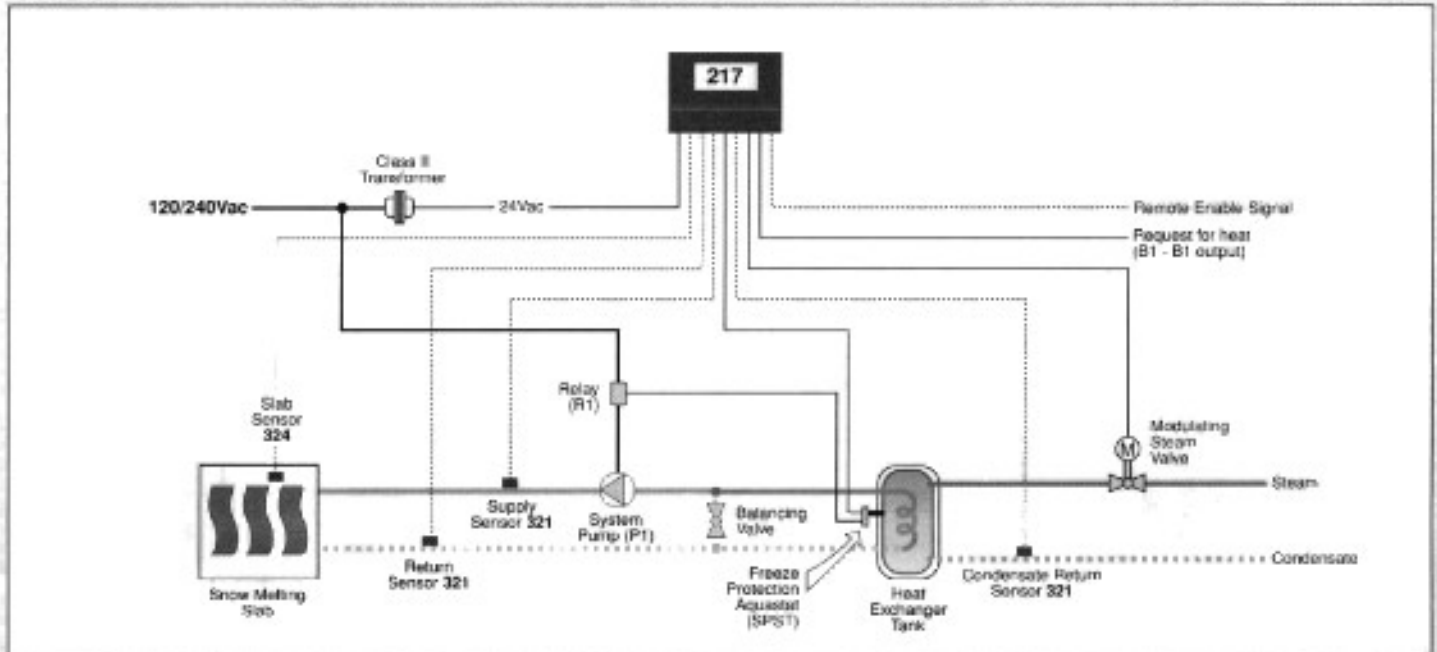
A 217-4

03/92

The tekmar Hydronic Snow/Ice Melting Control 217 regulates the rate of heat input to the snow melting system. The control maintains a calculated slab surface temperature by modulating a 2-way steam valve. The system pump is turned off and the 2-way steam valve is closed if no snow melting is required. The control will start the snow melting system when it gets a signal from a remote switch or the tekmar Snow/Ice Detector 651. Once the control is enabled, it can turn on a steam boiler through terminals B1 — B1.

Mechanical

Note: This is only a concept drawing. The designer must determine whether this system will work in his application and conform to code requirements. Necessary auxiliary equipment and safety devices must be added.



Electrical

