

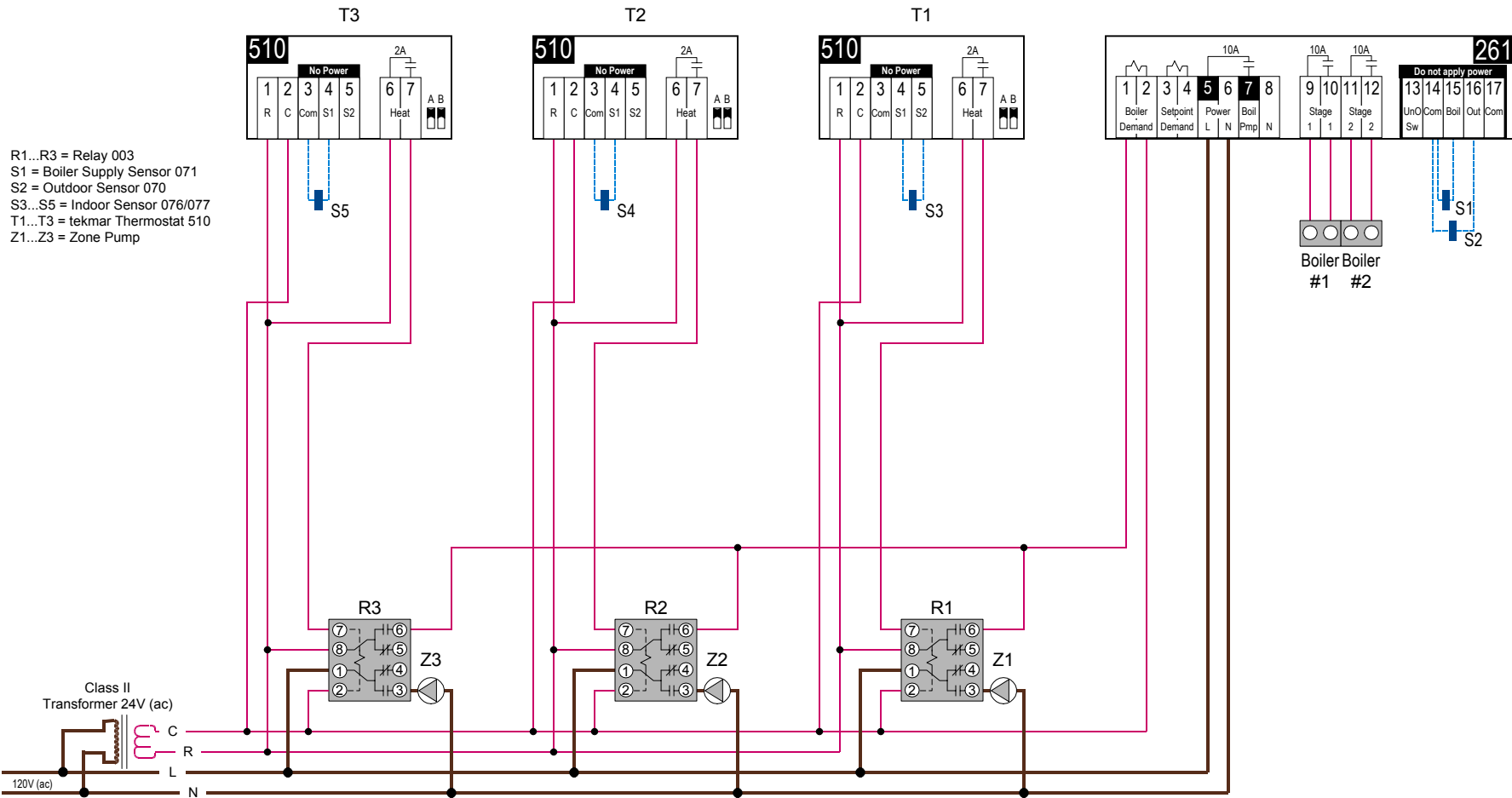
R1...R3 = Relay 003
S1 = Boiler Supply Sensor 071
S2 = Outdoor Sensor 070
S3...S5 = Indoor Sensor 076/077
T1...T3 = tekmar Thermostat 510
Z1...Z3 = Zone Pump

Concept Drawing

This is only a concept drawing, not an engineered drawing. It is not intended to describe a complete system, nor any particular system. It is up to the system designer to determine the necessary components for and configuration of the particular system being designed, including additional equipment, isolation relays (for loads greater than the control's specified output ratings), and any safety devices which in the judgement of the designer are appropriate, in order to properly size, configure and design that system and to ensure compliance with building and safety code requirements.

System Operation

XXXX



R1...R3 = Relay 003
 S1 = Boiler Supply Sensor 071
 S2 = Outdoor Sensor 070
 S3...S5 = Indoor Sensor 076/077
 T1...T3 = tekmar Thermostat 510
 Z1...Z3 = Zone Pump

Concept Drawing

This is only a concept drawing, not an engineered drawing. It is not intended to describe a complete system, nor any particular system. It is up to the system designer to determine the necessary components for and configuration of the particular system being designed, including additional equipment, isolation relays (for loads greater than the control's specified output ratings), and any safety devices which in the judgement of the designer are appropriate, in order to properly size, configure and design that system and to ensure compliance with building and safety code requirements.

Essential Control Settings

XXXX